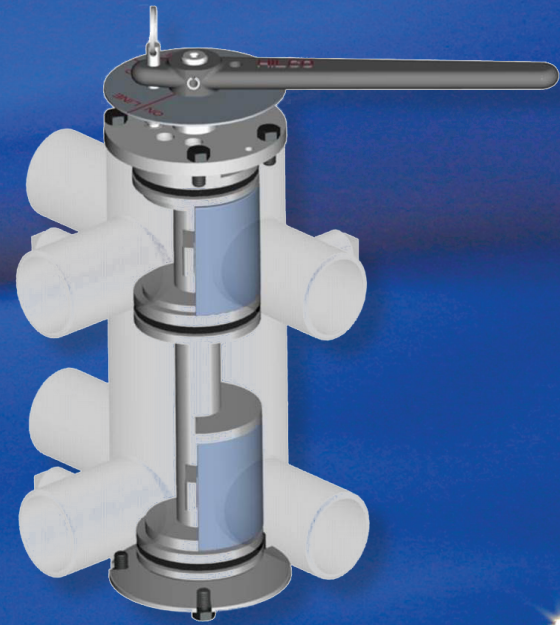


# HILCO® TRANSFER VALVE REBUILD KITS



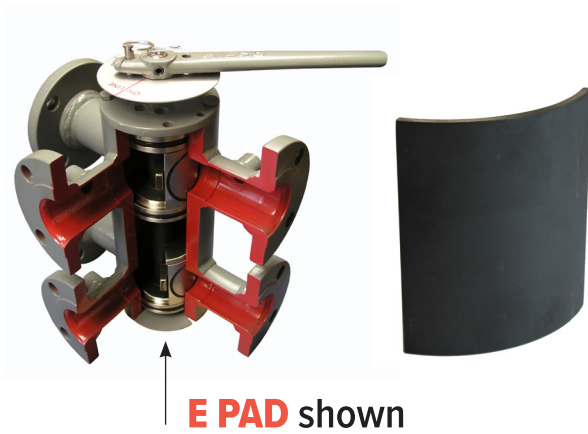
[www.samplebrothers.com](http://www.samplebrothers.com)

# SEALING PAD DESIGNS

The HILCO® valve pad design has evolved through the years and currently consists of two options:

## B-STYLE VALVES

- Provide metal to metal sealing. Sealing pad is 316 SS coated with a polymer-based moly-graphite coating for low turning torque.
- Available for all sizes.
- Maximum leakage of 40 ml/min on the offline side (ISO VG 22 oil, 70°F).



## E-STYLE VALVES

- Utilizes resilient Quad-Ring elastomer secured in a 316 SS pad.
- Standard for sizes through 6"
- Can be retrofitted into existing B-Style bodies.
- Maximum leakage of less than 1 ml/min on the offline side (water).



## TYPES OF HILCO® TRANSFER VALVES THAT UTILIZE THE REBUILD KITS:

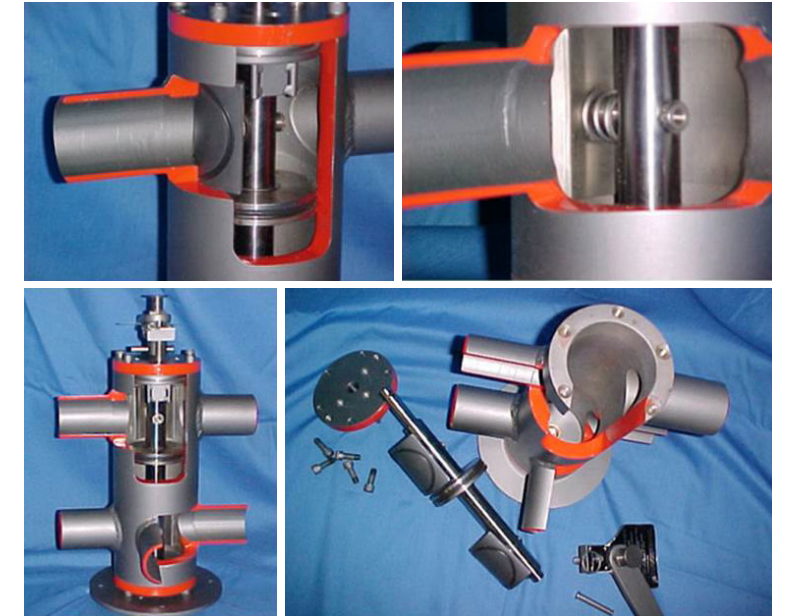
- 6-way B-series transfer valves
- 6-way E-series transfer valves
- FT-Split transfer valves (B & E style pads)



# HILCO® VALVE ADVANTAGE

## SPRING LOADED FLOATING PAD

- Pad wipes bore clean with transfer.
- Pad seal compression is function of line pressure and releases with equalization.
- Quick, easy, low torque changeover.
- Reduces potential for operator error.
- Reduces the number of internal parts.
- Affords practical field maintenance.
- No condition of over-pressurization of off-line side.



# HILCO® "B" SERIES FLOATING PAD DESIGN

4 Pads / Valve — 90° to Transfer Flow  
Thousands Still in Service

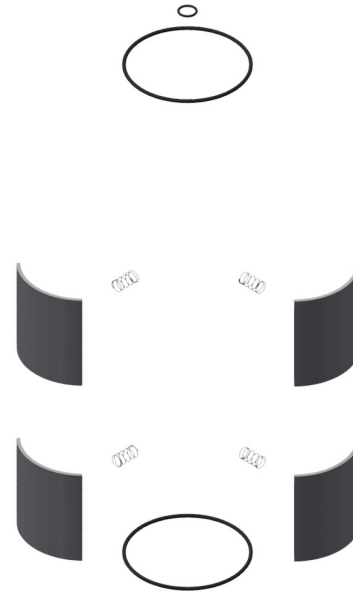


**6-WAY VALVE REPAIR KITS**  
**Transfer Valve Repair Kits (Soft Parts)**

**F-SERIES**

Includes O-Rings and Pads\*

Valve Model	Repair Kit	Contents
1.5" B Style	10014-033	(1) STEM O-RING, (3) COVER / SHAFT O-RINGS, (4) PAD SPRINGS, (4) PADS
2" B Style	10014-061	(1) STEM O-RING, (3) COVER / SHAFT O-RINGS, (4) PAD SPRINGS, (4) PADS
3" B Style	10014-016	(1) STEM O-RING, (3) COVER / SHAFT O-RINGS, (4) PAD SPRINGS, (4) PADS
4" B Style	10014-015	(1) STEM O-RING, (2) COVER O-RINGS, (1) SHAFT O-RING (4) PAD SPRINGS, (4) PADS
6" B Style	10014-022	(1) STEM O-RING, (3) COVER / SHAFT O-RINGS, (4) PAD SPRINGS, (4) PADS



**6-Way F-Series  
B Style**

Valve Model	Repair Kit	Contents
1.5" E Style	10014-115	(1) STEM O-RING, (3) COVER / SHAFT O-RINGS, (4) PAD SPRINGS, (4) PADS
2" E Style	10014-056	(1) STEM O-RING, (3) COVER / SHAFT O-RINGS, (4) PAD SPRINGS, (4) PADS
3" E Style	10014-062	(1) STEM O-RING, (3) COVER / SHAFT O-RINGS, (4) PAD SPRINGS, (4) PADS
4" E Style	10014-018	(1) STEM O-RING, (3) COVER / SHAFT O-RINGS, (2) PAD SPRINGS, (2) PADS
5"/6" E Style	10014-041	(1) STEM O-RING, (2) COVER O-RINGS, (1) SHAFT O-RING (4) PAD SPRINGS, (2) PADS
6" E Style	10014-117	(1) STEM O-RING, (3) COVER / SHAFT O-RINGS, (4) PAD SPRINGS, (4) PADS



**6-Way F-Series  
E Style**

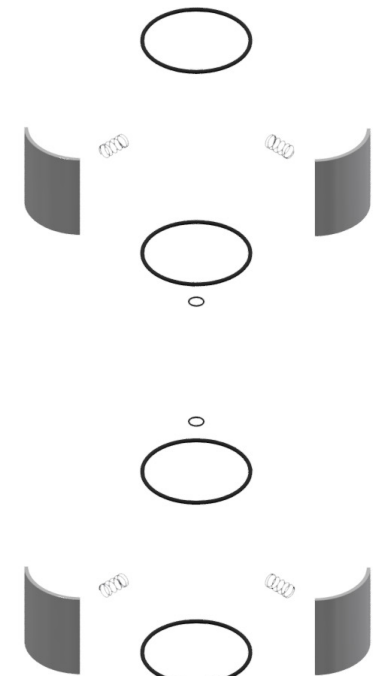
\*Consult factory for replacement shaft information

**6-WAY VALVE REPAIR KITS**  
**Split Valve Repair Kits (Soft Parts)**

**FT-SERIES**

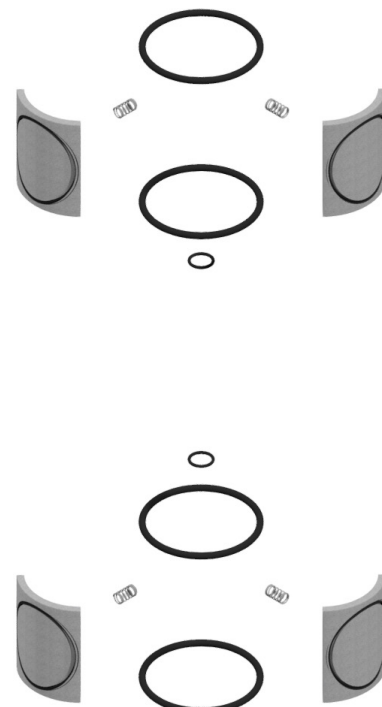
Includes O-Rings and Pads

Valve Model	Repair Kit	Contents
1.5" B Style	10014-063	(2) STEM O-RING, (4) COVER O-RINGS, (4) PAD SPRINGS, (4) PADS
2" B Style	10014-064	(2) STEM O-RING, (4) COVER O-RINGS, (4) PAD SPRINGS, (4) PADS
3" B Style	10014-060	(2) STEM O-RING, (4) COVER O-RINGS, (4) PAD SPRINGS, (4) PADS
4" B Style	10014-067	(2) STEM O-RING, (4) COVER O-RINGS, (4) PAD SPRINGS, (4) PADS
6" B Style	10014-069	(2) STEM O-RING, (4) COVER O-RINGS, (4) PAD SPRINGS, (4) PADS



**6-Way FT-Series  
B Style**

Valve Model	Repair Kit	Contents
1.5" E Style	10014-114	(2) STEM O-RING, (4) COVER O-RINGS, (4) PAD SPRINGS, (4) PADS
2" E Style	10014-065	(2) STEM O-RING, (4) COVER O-RINGS, (4) PAD SPRINGS, (4) PADS
3" E Style	10014-066	(2) STEM O-RING, (4) COVER O-RINGS, (4) PAD SPRINGS, (4) PADS
4" E Style	10014-068	(2) STEM O-RING, (4) COVER O-RINGS, (4) PAD SPRINGS, (2) PADS
5"/6" E Style	10014-116	(2) STEM O-RING, (4) COVER O-RINGS, (4) PAD SPRINGS, (2) PADS
6" E Style	10014-113	(2) STEM O-RING, (4) COVER O-RINGS, (4) PAD SPRINGS, (4) PADS



**6-Way FT-Series  
E Style**

\*Consult factory for replacement shaft information

## SPLIT VALVE REPAIR KITS

# FT-SERIES (SPLIT)

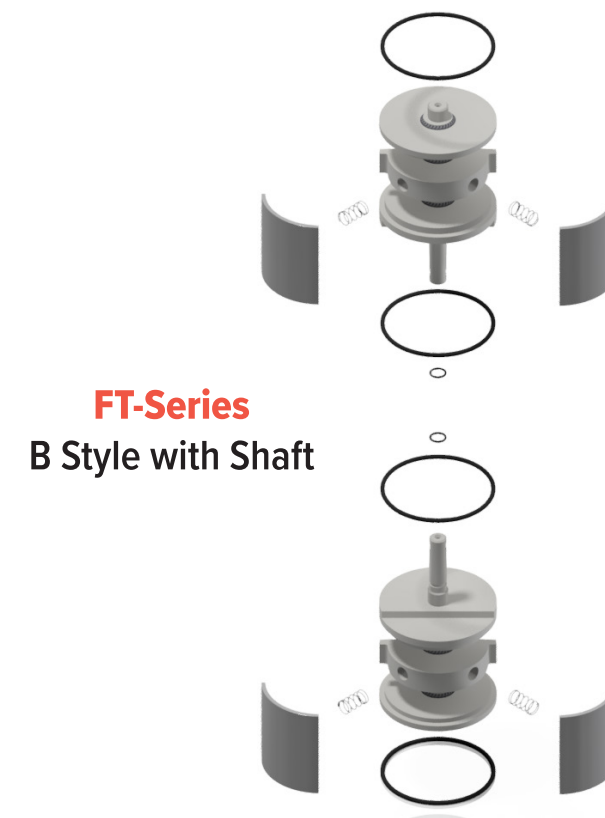
Includes Soft Parts and Shaft

Split Valve	CS Shaft	Contents	Carbon Steel Split Valve Shafts
1.5" B Style	10014-072	(2) STEM O-RING, (4) COVER O-RINGS, (4) PAD SPRINGS, (4) PADS, (2) SHAFTS	
2" B Style	10014-074	(2) STEM O-RING, (4) COVER O-RINGS, (4) PAD SPRINGS, (4) PADS, (2) SHAFTS	
3" B Style	10014-076	(2) STEM O-RING, (4) COVER O-RINGS, (4) PAD SPRINGS, (4) PADS, (2) SHAFTS	
4" B Style	10014-081	(2) STEM O-RING, (4) COVER O-RINGS, (4) PAD SPRINGS, (4) PADS, (2) SHAFTS	
6" B Style	10014-085	(2) STEM O-RING, (4) COVER O-RINGS, (4) PAD SPRINGS, (4) PADS, (2) SHAFTS	
1.5" E Style	10014-118	(2) STEM O-RING, (4) COVER O-RINGS, (4) PAD SPRINGS, (4) PADS, (2) SHAFTS	
2" E Style	10014-074	(2) STEM O-RING, (4) COVER O-RINGS, (4) PAD SPRINGS, (4) PADS, (2) SHAFTS	
3" E Style	10014-078	(2) STEM O-RING, (4) COVER O-RINGS, (4) PAD SPRINGS, (4) PADS, (2) SHAFTS	
4" E Style	10014-083	(2) STEM O-RING, (4) COVER O-RINGS, (4) PAD SPRINGS, (2) PADS, (2) SHAFTS	
5"/6" E Style	CF	CF	
6" E Style	10014-121	(2) STEM O-RING, (4) COVER O-RINGS, (4) PAD SPRINGS, (4) PADS, (2) SHAFTS	

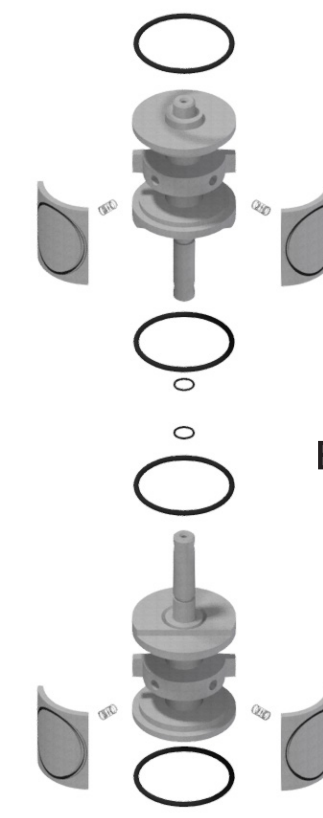
Split Valve	SS Shaft	Contents	Stainless Steel Split Valve Shafts
1.5" B Style	10014-073	(2) STEM O-RING, (4) COVER O-RINGS, (4) PAD SPRINGS, (4) PADS, (2) SHAFTS	
2" B Style	10014-075	(2) STEM O-RING, (4) COVER O-RINGS, (4) PAD SPRINGS, (4) PADS, (2) SHAFTS	
3" B Style	10014-077	(2) STEM O-RING, (4) COVER O-RINGS, (4) PAD SPRINGS, (4) PADS, (2) SHAFTS	
4" B Style	10014-080 P Design	(2) STEM O-RING, (4) COVER O-RINGS, (4) PAD SPRINGS, (4) PADS, (2) SHAFTS	
	10014-082 T Design	(2) STEM O-RING, (4) COVER O-RINGS, (4) PAD SPRINGS, (4) PADS, (2) SHAFTS	
6" B Style	10014-086	(2) STEM O-RING, (4) COVER O-RINGS, (4) PAD SPRINGS, (4) PADS, (2) SHAFTS	

1.5" E Style	10014-119	(2) STEM O-RING, (4) COVER O-RINGS, (4) PAD SPRINGS, (4) PADS, (2) SHAFTS
2" E Style	10014-075	(2) STEM O-RING, (4) COVER O-RINGS, (4) PAD SPRINGS, (4) PADS, (2) SHAFTS
3" E Style	10014-079	(2) STEM O-RING, (4) COVER O-RINGS, (4) PAD SPRINGS, (4) PADS, (2) SHAFTS
4" E Style	10014-084	(2) STEM O-RING, (4) COVER O-RINGS, (4) PAD SPRINGS, (2) PADS, (2) SHAFTS
5"/6" E Style	10014-120	(2) STEM O-RING, (4) COVER O-RINGS, (4) PAD SPRINGS, (2) PADS, (2) SHAFTS
6" E Style	10014-122	(2) STEM O-RING, (4) COVER O-RINGS, (4) PAD SPRINGS, (4) PADS, (2) SHAFTS

\*Consult factory for replacement shaft information



**FT-Series**  
B Style with Shaft



**FT-Series**  
E Style with Shaft

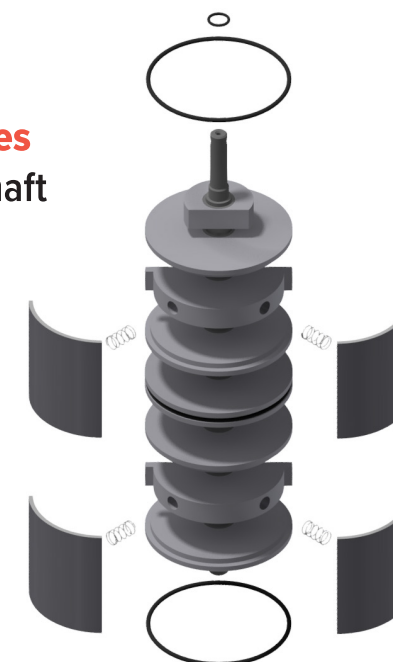
## 6-WAY TRANSFER VALVE REPAIR KITS

# 6-WAY TRANSFER

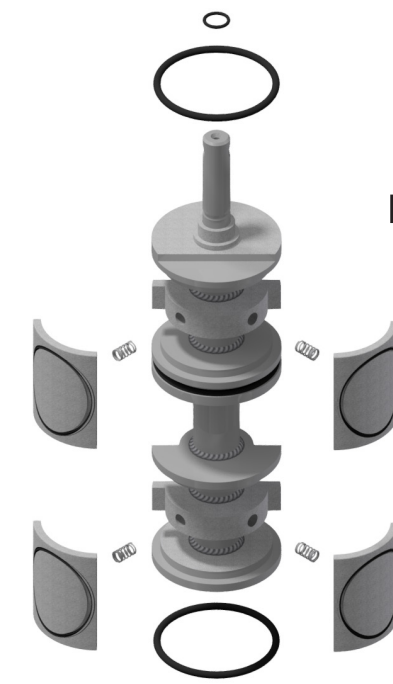
Includes Soft Parts and Shaft

Consult factory for 6-Way repair kits requiring replacement shaft. The valve model number and/or serial number are required to ensure component accuracy.

**6-Way F-Series**  
B Style with Shaft



**6-Way F-Series**  
E Style with Shaft



# VISIT OUR WEBSITE FOR **HOW-TO VIDEOS**

Get step-by-step instruction on transfer valve rebuild procedures:

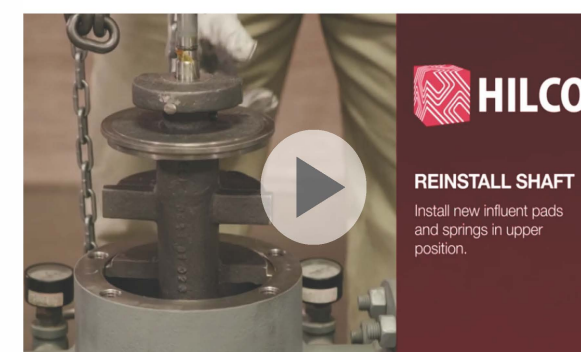
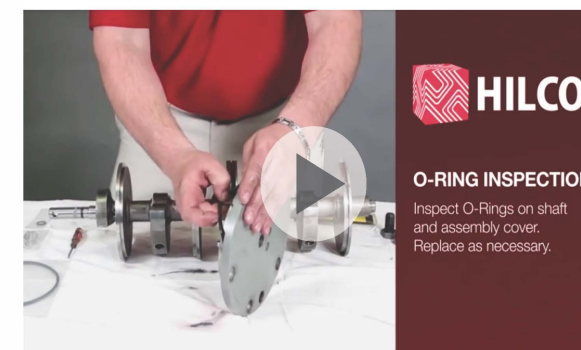
- Preparation & Valve Removal
- Shaft Removal
- Pads & Springs Removal
- Shaft Components Needed
- Valve Type Identification
- O-Ring Inspection
- Shaft Reinstallation
- Assembly Cover Installation



**HILCO® TRANSFER VALVE  
COMPONENT REPAIR VIDEO**



Sample Brothers Inc.  
636-529-8521  
sales@samplebrothers.com



[www.samplebrothers.com](http://www.samplebrothers.com)

TVRK SBC-06.21