

Mist Elimination and Phase Separations



A KOCH ENGINEERED SOLUTIONS COMPANY

KOCH GLITSCH
sales@samplebrothers.com

YOU CAN RELY ON US.

Mist Elimination

Solutions for gas-liquid separations and flow conditioning.

In any process where gas and liquid come into contact, the gas will entrain some amount of the liquid droplets. This entrainment can cause process inefficiencies, product loss, and equipment damage.



MIST ELIMINATORS

Reduce loss of valuable chemicals: Mist eliminators markedly cut glycol, amine, or solvent consumption in absorption and regeneration towers.

Increase throughput capacity: Mist eliminators allow a significant increase in throughput anywhere gases and liquids come into contact in process equipment.

Improve product purity: Mist eliminators prevent contamination of side draws and overheads in refinery atmospheric and vacuum towers and other distillation columns.

Minimize contamination: Mist eliminators can prevent the poisoning of expensive downstream catalysts or provide boiler feed water quality condensate from evaporator overheads.

Provide equipment protection: Mist eliminators protect turbine, blower, and compressor blades, which can eliminate serious maintenance problems.

Reduce air pollution: Mist eliminators help diminish droplet emissions to environmentally acceptable levels.

COMMON APPLICATIONS

Knockout Drums

Designing knockout drums to include mist eliminators will reduce capital equipment costs and improve efficiency. Knockout drums relying solely on gravity settling typically remove drops larger than 100 microns. Using an efficient mist eliminator will remove entrainment of all drops larger than 5 to 10 microns. This higher efficiency reduces product loss; downstream corrosion; contamination; and damage to equipment such as compressors, molecular sieve driers, and blowers. Vessel weights can easily be reduced to half, and handling of liquid slugs is improved.

Evaporators

Customized mist eliminators reduce carryover of dissolved and undissolved solids to obtain specified steam condensate purity levels below 1 to 50 ppm. This not only prevents product loss, but it also protects compressor internals in vapor recompression systems, provides boiler feed water quality condensate, and prevents potential pollution problems.

Industrial installations vary from chemical plants (caustic and inorganic chemical concentrators), to pulp and paper (black liquor and pulping chemical recovery), to the food industry (sugar, salt, and corn syrup production).

Steam Drums

Customized mist eliminators reduce carryover of dissolved solids to obtain specified steam condensate purity levels from 1 ppm down to 5 ppb without the need for external separator vessels. Operating pressures can range from 20 to 2500 psig [1 to 170 bar].



In a typical steam drum, mist eliminators properly located below the outlet nozzles assure high steam purity.

Distillation Towers

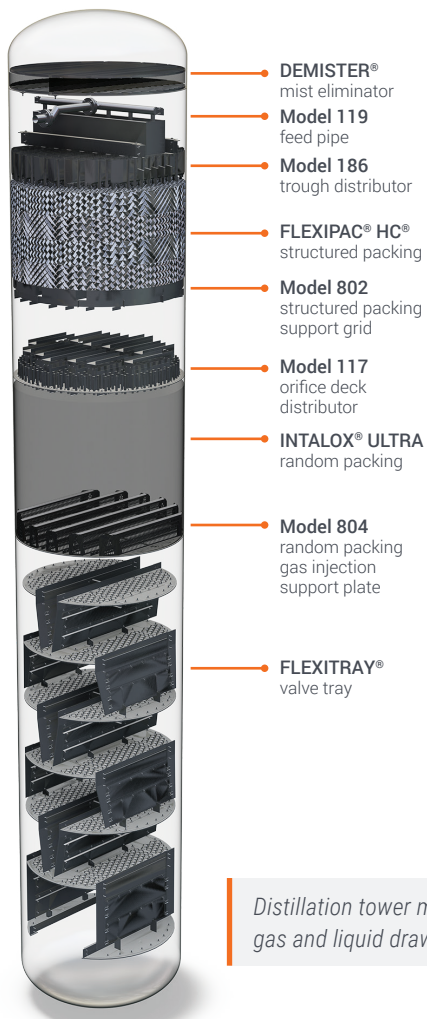
Liquid entrainment can cause performance problems and limit capacity in packed and trayed distillation towers in two ways.

- At intermediate draw-off trays, entrainment from below reduces product purity and can allow non-volatile contaminants into the draw-off liquid.
- The overhead gas product can also be contaminated with liquid entrainment.

In both cases, the problem is often misinterpreted as a problem with the trays or packing. In reality, it is a problem of entrainment, which can be solved by a properly designed mist eliminator.

Scrubbers

From clean gas scrubbers and process vents to fouling services, such as flue gas desulfurization (FGD) systems or steel mill blast furnace exhausts, mist eliminators help improve efficiency and capacity. In severe services, high performance wash systems from Koch-Glitsch are specially engineered to meet the process requirements and considerably extend service life with minimum wash liquid usage.



Distillation tower mist eliminators provide high purity overhead gas and liquid draw-off as well as higher tower capacity.

MAJOR MARKET PROCESS APPLICATIONS

Refineries

Mist eliminators in fractionators increase throughput capacity and allow deeper cuts for greater yields.

- In atmospheric and vacuum pipestills, reduced entrainment from the wash oil zones allows deeper cuts and greater throughput.
- In downstream crackers and reformers, mist eliminators prolong catalyst life by reducing carbon and metals in side draws.

Petrochemical Plants

Mist eliminators are used in the interstage knock-out drums of the compressor trains to extend compressor run length and service life. They are also used in quench towers to prevent contamination and protect downstream equipment.

Flue Gas Desulfurization

High capacity, low pressure drop FLEXICHEVRON® and FLEXIPEAK mist eliminators provide excellent resistance to fouling. Utility and industrial scrubbers throughout the world trust the process and mechanical designs offered by Koch-Glitsch.

Gas Absorption Systems

Designers and operators of gas absorption systems use glycols, amines, and other proprietary solvents to remove water vapor, H₂S, CO₂, or other contaminants from gas streams. However, they often follow equipment specifications that have not been optimized to minimize losses of these expensive chemicals. Losses can result from several causes, including the following:

- Carryover losses of absorption chemicals with the treated gas.
- Entrainment losses in the overhead gas from the regeneration towers.
- Foaming resulting from liquid hydrocarbon entrainment into the absorber.

Payback in most systems will be less than one month when upgrading from traditional mesh styles to higher efficiency DEMISTER® mist eliminator styles 822, 822H, or 82.

Sulfuric Acid Plants

Well-engineered mist eliminators are critical to the cost-effective operation of every sulfuric acid plant. In the drying, intermediate, and final absorption towers, poorly performing mist eliminators contribute to corrosion of ducting, blowers, heat exchangers, and vessels. Stack emissions can result in environmental non-compliance, fines, and potential closure.

Engineers at Koch-Glitsch are very familiar with the special design considerations required for sulfur burning, ore roasting, and sludge burning plants. Koch-Glitsch offers the latest technology in efficiency, safety, service life, and capacity.



Fractionation tower in major USA refinery.



Sulfuric acid plant.

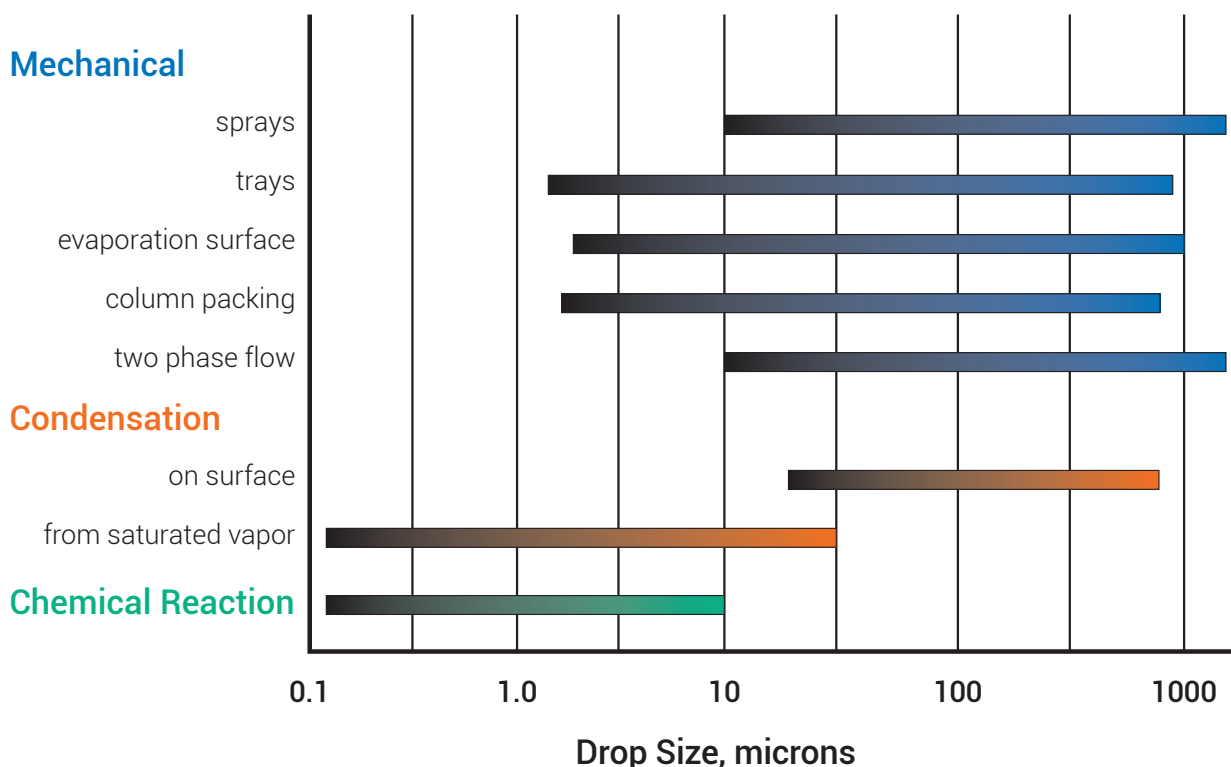
DROPLET FORMATION

The way that droplets are formed determines the size of droplets to be removed. Knowledge of the mechanisms that cause droplet formation and the resulting droplet size is essential to proper mist eliminator selection and design.

Entrainment can be generated by the following mechanisms:

- Mechanical action
- Chemical reaction
- Condensation

The figure below illustrates the typical particle size distribution caused by various mechanisms. Combining this knowledge with experience, the droplet sizes produced can often be estimated with reasonable accuracy.



Mechanical: Experience shows that droplets generated by mechanical means are commonly 5-10 μ and larger in diameter. But a boiling or bubbling liquid surface will form droplets down to just a few microns in diameter.

Condensation: Entrainment swept off the surface of heat exchanger tubes consists mostly of large (50+ microns) droplets. However, extremely fine submicron entrainment is often generated when a liquid condenses directly in the vapor phase due to cooling of a saturated vapor. This type of very fine entrainment can be seen when lubricating oil in a compressor is locally heated and vaporized and then quickly condensed causing a "blue smoke."

Chemical Reaction: When two gases react to form a liquid product, large quantities of submicron droplets are formed, which, in turn, requires high efficiency separation equipment.

SOLUTIONS SELECTION GUIDE

Products are available in a variety of metals, plastics, thermoplastics, and fiber-reinforced plastics for applications, such as absorber towers, scrubbers, knockout drums, evaporators, pollution control, and general mist elimination.

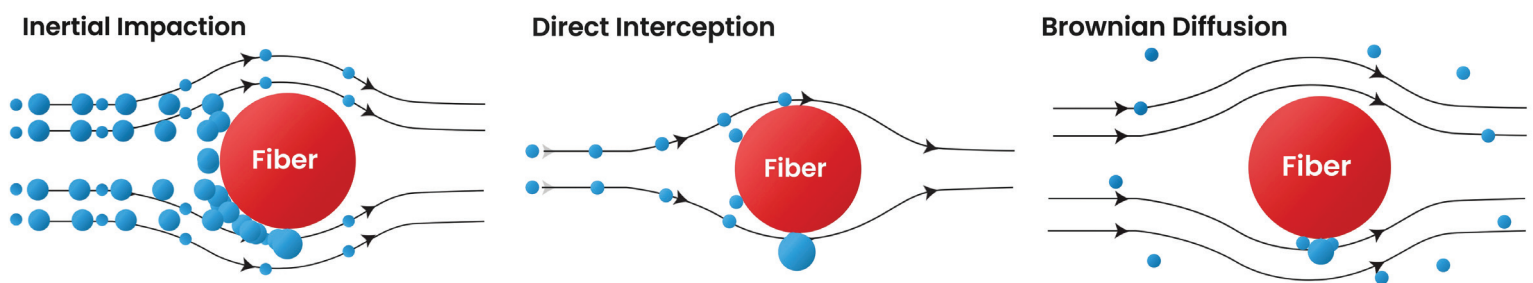
While the suggestions on this page provide a starting point for the selection of a mist eliminator, your final choice should be made only after reviewing your application with an equipment designer of proven expertise. Koch-Glitsch provides expert resources to help you make the best choice for your particular application.

Basic Mechanism of Mist Separation

The three basic mechanisms for mist separation can best be described by considering the following. A gas stream containing mist particles moves towards a fiber which is perpendicular to the direction of flow. As depicted in the mechanisms for mist collection on fibers illustrations below, the gas streamlines around the fiber. The momentum of larger particles, greater than 1 micron, makes them deviate from the gas streamline and head for the fiber. The larger particles are thus separated through the principle of inertial impaction.

Particles may also be collected by direct interception. The particle may follow a gas streamline and be collected without inertial impaction or Brownian diffusion if the streamline is relatively close to the fiber. Consider a particle with a diameter of 1 micron. If it follows a gas streamline which passes within 0.5 microns of the fiber, the particle will touch the fiber and be collected.

Smaller particles, generally smaller than one micron in diameter, tend to follow the gas streamline around obstacles. However, the illustrations below show considerable Brownian movement and thus diffuse from the gas to the surface of the fiber. A particle having a 0.1 micron diameter will have approximately five times the Brownian displacement of a 1.0 micron particle and about 15 times the Brownian displacement of a 5.0 micron particle. Through proper fiber bed design, submicron particles can thus be effectively collected. With Brownian diffusion, the collection efficiency increases as the particle size decreases because the Brownian displacement actually increases with smaller particle size.



Mechanisms for mist collection on fibers.

DEMISTER® Mist Eliminators

When the vessel size is not set by the mist eliminator, such as is normally the case for distillation towers, steam drums, or evaporators, the practical starting point is often the knitted wire mesh pad type. DEMISTER® mist eliminators provide high separation efficiency at the lowest installed cost.

FLEXICHEVRON® Mist Eliminators

When the vessel size is set by the mist eliminator, then the benefits of high capacity FLEXICHEVRON® mist eliminators could be the most cost-effective overall solution.

The fouling resistant FLEXICHEVRON mist eliminator often offers the best solution if the mist contains solid particulates; viscous, sticky liquids; or if large slugs of liquid occur.

DEMISTER-PLUS Mist Eliminators

In extreme debottlenecking situations or in new designs at very high operating pressures where it is necessary to minimize vessel size and weight, the high capacity characteristics of DEMISTER-PLUS mist eliminators often prove beneficial. DEMISTER-PLUS mist eliminators may incorporate FLEXICHEVRON mist eliminators or VORSOMAX cyclone mist eliminators to achieve high capacity.

FLEXIFIBER® Mist Eliminators

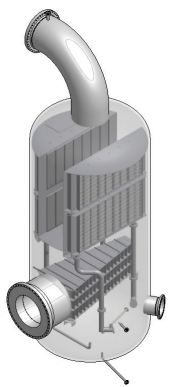
FLEXIFIBER® mist eliminators are the only type that can remove submicron size particles with high efficiency.

VORSOMAX® Cyclone Mist Eliminator

Vorsomax® cyclone mist eliminators are the premium capacity design to achieve the smallest vessel design.

	DEMISTER® mist eliminator	FLEXICHEVRON® mist eliminator	DEMISTER-PLUS mist eliminator	FLEXIFIBER® mist eliminator	VORSOMAX® cyclone mist eliminator
100% Efficiency	3-10 µ	10-40 µ	7-10 µ	<0.1 µ	7-20 µ
Pressure Drop wc	<1 in [25 mm]	0.4-3.5 in [10-89 mm]	1-20 in [25-508 mm]	2-20 in [51-508 mm]	8-14 in [200-355 mm]
Gas Capacity	5	6-15	10-20	1	15-20
Liquid Capacity	5	10	5-10	1	10
Solids Handling	3	10	3-10	1	10
Cost	1	2-3	3-6	10	3-5
Cost with Vessel	6	3-4	1-3	10	1

Relative scale based on 1 as the lowest. Others are scaled.



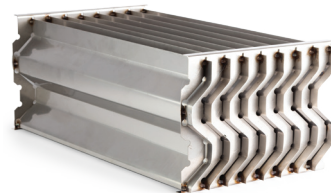
DEMISTER-PLUS two-stage mist eliminator.



DEMISTER® style 709 mist eliminator in stainless steel.



FLEXIFIBER® mist eliminator.



FLEXICHEVRON® style VIII mist eliminator.



VORSOMAX® Model F5 cyclone mist eliminator.

DEMISTER® Mist Eliminators

High collection efficiency and low pressure drop.

The DEMISTER® mist eliminator is an assembly of YORKMESH knitted mesh that is supported with high open area grids.

DEMISTER mist eliminators are made to any size and shape from a wide range of materials, both metal and non-metal. Stainless steels and exotic alloys are fully annealed to provide maximum corrosion resistance.

Based on years of actual in-plant performance, Koch-Glitsch engineers use special families of mesh styles for particular equipment and processes to meet customer efficiency requirements.



How a DEMISTER® mist eliminator works

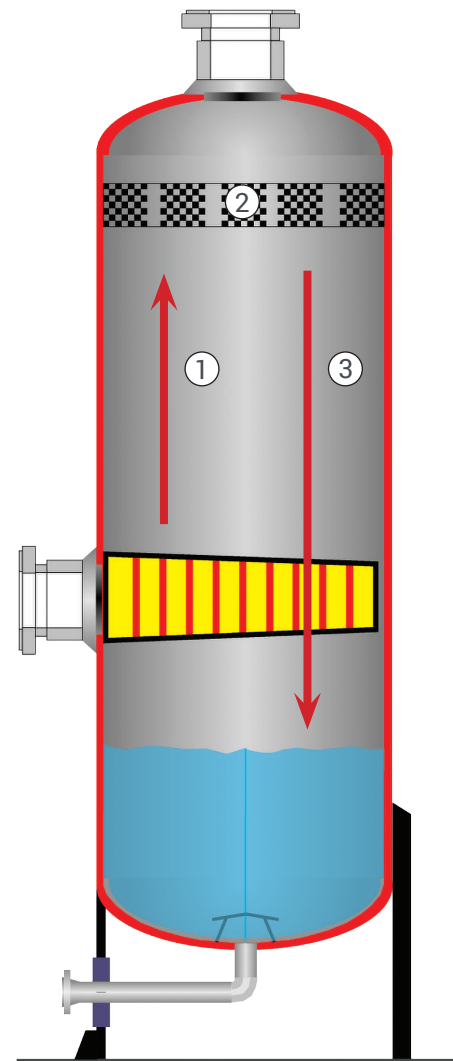
1. A vapor stream carrying entrained liquid droplets passes through a DEMISTER pad. The vapor moves freely through the knitted mesh.
2. The inertia of the droplets causes them to contact the wire surfaces and coalesce.
3. The large, coalesced droplets formed in the mesh ultimately drain and drop to the vessel bottom.

CHARACTERISTICS OF DEMISTER® MIST ELIMINATORS

- Easy to install in all process equipment
- Most cost-effective solution when equipment sizes are set by other requirements
- High efficiency with low pressure drop
- Emergency delivery available

MATERIALS OF CONSTRUCTION

- Stainless steel
- Nickel-based alloys
- Titanium
- Aluminum
- Copper
- Polypropylene
- Fluoroplastics
- Other special materials available on request. For example, Alloy 66 and SX® are specially designed materials used to extend service life in sulfuric acid plants.



DESIGN PARAMETERS

For general design, Equation 1 has been used as a guideline for many years.

EQUATION 1

$$V = K \left[\frac{(\rho_L - \rho_v)}{\rho_v} \right]^{1/2}$$

The recommended design value of “K” varies depending on several system factors, which include liquid viscosity, surface tension, entrainment loading, and the content of dissolved and suspended solids. Recommended “K” values are also highly dependent on the mesh structure and vessel geometry.

Otto H. York developed the DEMISTER® mist eliminator and introduced it in 1947. Some of the first styles were traditional mist eliminator styles that became the worldwide standards in the chemical process industries. The industry adopted a standard guideline for K-factor of 0.35 ft/sec (0.107 m/sec) for calculations based on these traditional styles. Improved high capacity mesh styles were introduced shortly after the Otto H. York Company became part of Koch-Glitsch. Today, Koch-Glitsch continues the research and development of knitted mesh technology.

Excellent performance is often obtained from 30-110% of the calculated design value. Operating pressure drop is usually negligible, < 1 in. [25 mm] wc. For high vacuum applications, high performance is routinely achieved with ΔP on the order of 0.1 in. [2-3 mm] wc.

High Capacity DEMISTER® Mist Eliminators

Koch-Glitsch has developed and refined a new family of DEMISTER mist eliminators that replace traditional knitted mesh styles.

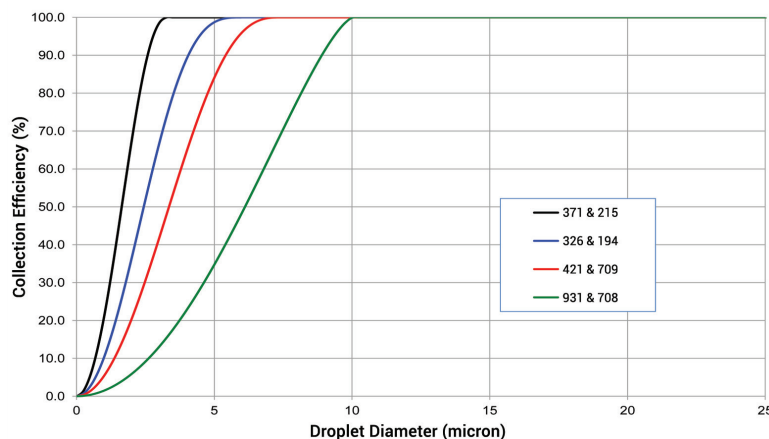
The new high capacity styles take advantage of improved knowledge about the way internal wire geometry affects capacity and performance in the same way that structured packing surpassed random packing performance in distillation columns.

Units for Equation 1		
	English	Metric
V - design velocity	ft/sec	m/sec
ρ _L - liquid density	lb/ft ³	Kg/m ³
ρ _v - vapor density	lb/ft ³	Kg/m ³
K - capacity factor	ft/sec	m/sec

Traditional Style	High Capacity	Capacity Gain	Efficiency Gain	Description
371	215	>35%	Same	Glass fiber & metal for maximum efficiency
326	194	>25%	Same	Ultra-efficiency design for fine particles
421	709	>20%	Same	Heavy duty, high efficiency design
431	172	>20%	Same	General purpose style
931	708	>22%	Same	High open area for viscous or dirty liquid

Compared to the traditional styles, the high capacity DEMISTER styles from Koch-Glitsch can provide:

- 20% or more design capacity
- Lower pressure drop
- Higher efficiency at design velocity
- Equal or better corrosion and fouling resistance



Comparative efficiencies of various DEMISTER® mist eliminator styles in air-water system at atmospheric conditions.

FLEXICHEVRON® Mist Eliminators

Lowest pressure drop and high liquid capacity.

FLEXICHEVRON® mist eliminators are baffle or zigzag blade modules tailored for either vertical or horizontal flow installations.

Depending on design parameters, operating conditions, and blade characteristics, these mist eliminators collect essentially 100% of all particles greater than 8 microns in diameter.

Manufactured in virtually any size from a wide range of metal alloys, thermal-set plastics, and fiber-reinforced plastic (FRP), many styles are available for custom-designed solutions.

APPLICATIONS FOR WHICH FLEXICHEVRON MIST ELIMINATORS ARE IDEAL

- Scrubbers in utility flue gas desulfurization (FGD) systems
- Phosphoric and sulfuric acid plants
- Crude oil refinery vacuum towers
- Pulp mill, sugar refinery, and chemical plant evaporators
- Upstream gas processing
- LNG plants

CHARACTERISTICS OF FLEXICHEVRON® MIST ELIMINATORS

- Ideal for applications where solids or viscous, sticky liquids negatively affect the longevity of a wire mesh type mist eliminator much faster than desired
- Vertical (upward) or horizontal flow designs
- Lowest pressure drop of any type mist eliminator
- Able to handle high liquid loads
- Good turndown

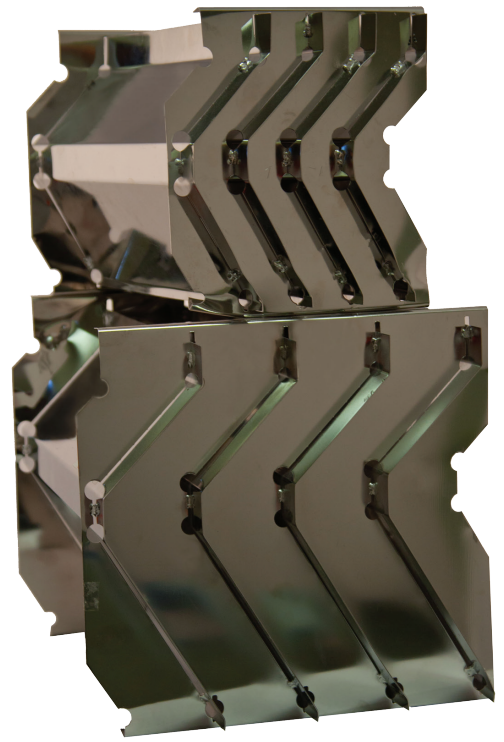


DESIGN PARAMETERS

The reentrainment point is a function of gas velocity, as well as other physical properties, e.g., vapor density, liquid density, and liquid surface tension.

The reentrainment point is also highly sensitive to the geometry of the blade profile. The superior liquid draining capability and optimum blade spacing can be operated at a higher reentrainment point, yielding a higher capacity.

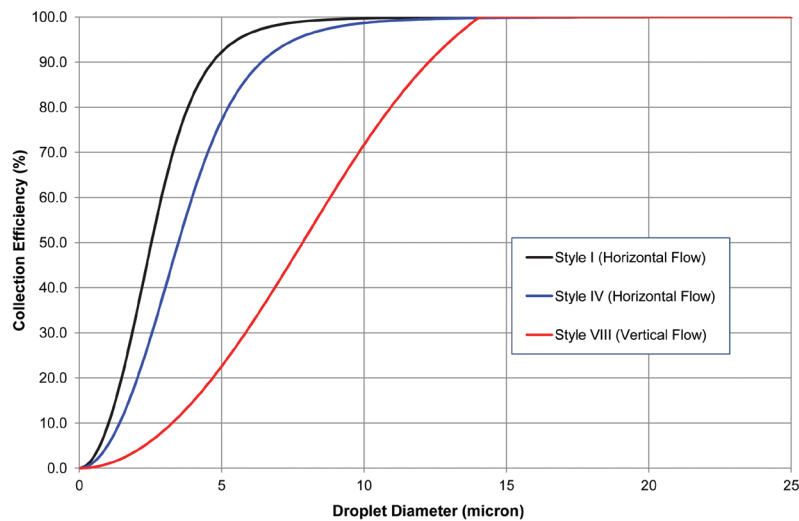
The difference between droplet penetration and reentrainment is often confused. Droplets that penetrate the chevron are too small to be effectively removed by impaction. On the other hand, reentrained droplets are generally quite large and originate from droplets that have coalesced on the blades. At high gas velocities, a FLEXICHEVRON mist eliminator can have a removal efficiency of 100% and, simultaneously, reentrain extensively. Conversely, at low gas velocities, the chevron may not reentrain but has insufficient removal of smaller droplets. Optimal FLEXICHEVRON performance is achieved at a gas velocity that is as high as possible but not so high that it yields reentrainment.



FLEXICHEVRON® style XII/XIV mist eliminators are designed for high capacity FGD applications.

Optimal Design for Conventional FLEXICHEVRON® Mist Eliminators

To reach an optimal design, it is often necessary to make a compromise between removal efficiency pressure drop, and plugging tendency.



To do so, it is necessary to have some knowledge of the droplet-size distribution entering the mist eliminator. While exact inlet droplet-size distributions are seldom known, experienced Koch-Glitsch designers are familiar with most mist elimination applications and can help with understanding the solutions available. Koch-Glitsch has established proprietary know-how through application of extensive air-water testing, computational fluid dynamic (CFD) simulation, and commercial data confirmations.

Typical collection efficiency vs. droplet size of a FLEXICHEVRON® mist eliminator in air-water system at atmospheric conditions.

APPLICATIONS

FLEXICHEVRON mist eliminators should be used any time that plugging of wire mesh mist eliminators is a risk. These applications include:

- Air pollution control scrubbers where dissolved or undissolved solids can be present.
- Applications where droplets will be sticky or viscous and will plug conventional knitted wire mesh mist eliminators.
- High vacuum applications, such as evaporators and vacuum crude units, where minimum pressure drop is critical.

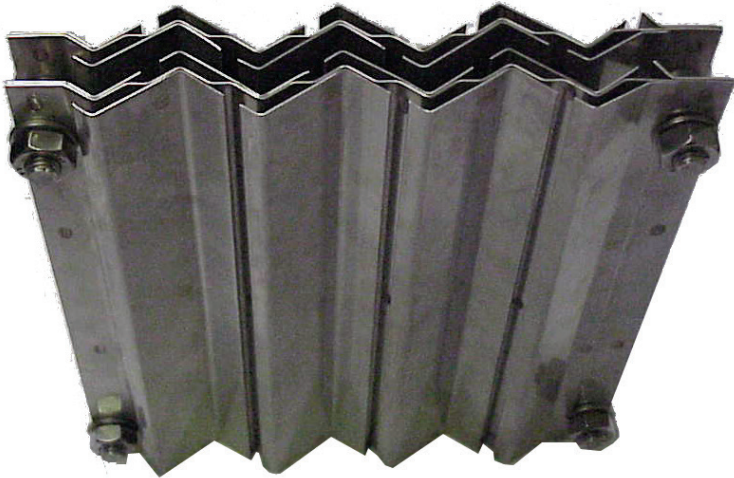
High Capacity FLEXICHEVRON® Mist Eliminators

Special designs for higher pressure systems.

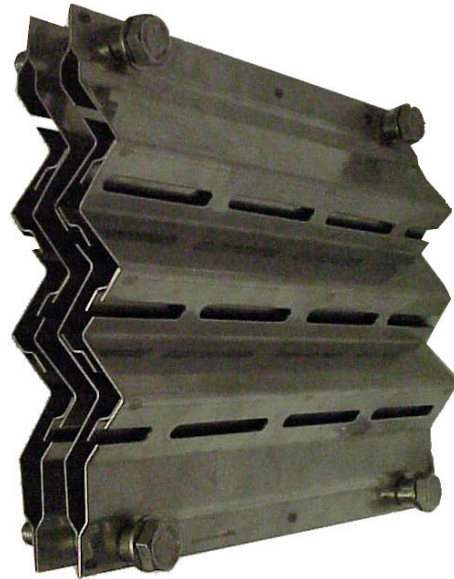
The FLEXICHEVRON® style 250 and 350 mist eliminators rely primarily on separate liquid drainage channels to achieve higher capacity. This results in more efficient mist removal, especially at higher pressures where the allowable velocity decreases with the increasing gas density.

The unique characteristic of the style 250 or 350 designs is their “double pocket” construction. Strategically located slots allow coalesced liquid on the blade surfaces to be collected and directed into internal channels shielded from the gas flow. Once inside these channels, the collected liquid is then directed to drains that lead to a liquid sump in the bottom of the vessel or a seal system (cup).

Compared to the unshielded single pocket designs, they also provide higher turndown before noticeable efficiency losses are experienced.



FLEXICHEVRON® style 250 high capacity mist eliminator for horizontal gas flow.



FLEXICHEVRON® style 350 high capacity mist eliminator for vertical gas flow.

CHARACTERISTICS OF HIGH CAPACITY FLEXICHEVRON® MIST ELIMINATORS

- Custom engineered to fit any vessel shape
- Allow reduced vessel sizes and weights
- Sturdy, durable construction
- Maintain efficiency at higher pressures

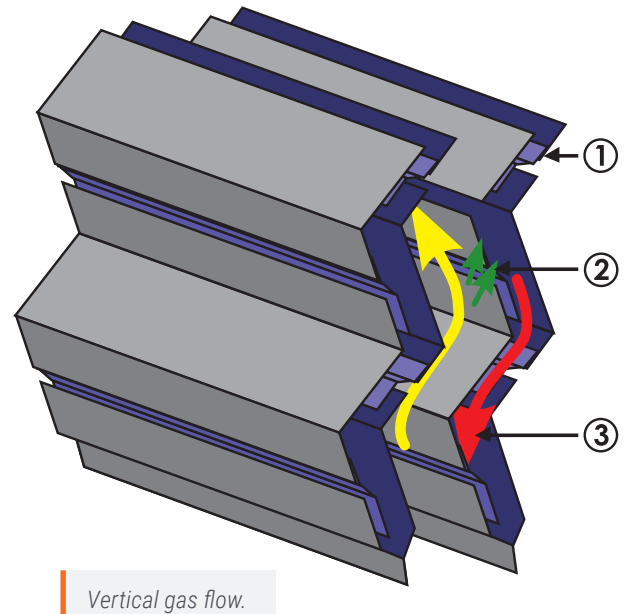
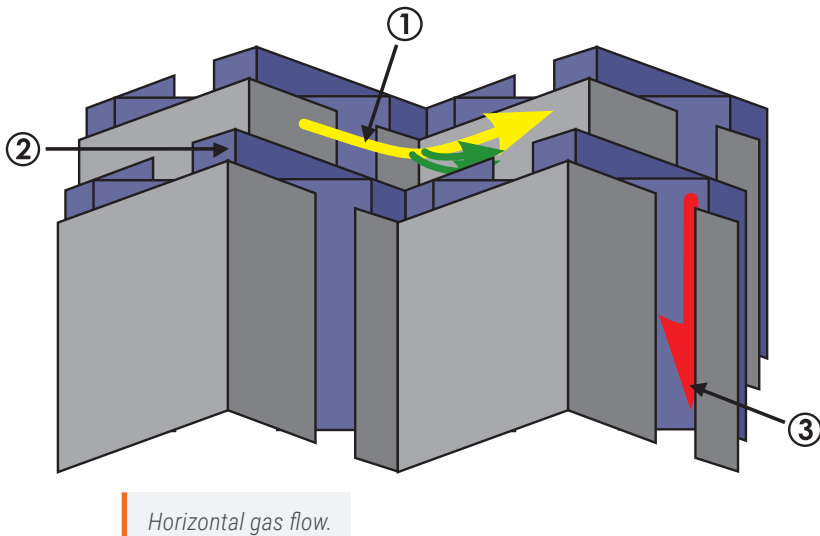
MATERIALS OF CONSTRUCTION

- Stainless steel
- Nickel-based alloys
- Titanium
- Other special materials available on request

How a High Capacity FLEXICHEVRON® Mist Eliminator Works

1. Double pocket hooks direct the collected liquid (green arrow) away from the main gas stream (yellow arrow).
2. The collected liquid (green arrow) flows into separate channels (purple).
3. The separate channels move the liquid away from the gas (red arrow).

Because the liquid is now isolated from the gas stream and less subject to reentrainment, gas velocities can be increased in both horizontal and vertical gas flow configurations.



Performance of High Capacity FLEXICHEVRON® Mist Eliminators in Air/Water System

Using double pocket FLEXICHEVRON mist eliminators, it is possible to efficiently remove droplets smaller than 10 microns in diameter in clean service even at higher pressures. Droplet size separation efficiency will be affected by physical properties of the gas and liquid phases, gas velocity, liquid and gas densities, and liquid surface tension.

VORSOMAX® Cyclone Mist Eliminator

Reduce new vessel size or increase capacity in high-pressure applications.

VORSOMAX® cyclone mist eliminators consist of single or multiple elements mounted onto a deck plate. Each element contains an activator which generates centrifugal force to provide the separation of vapor and liquid(s). The units are provided in easily-handled subassemblies, which are installed through vessel manways. If the vessel is equipped with a body flange, the elements may be consolidated into a single piece for installation via the body flange.

EXTREMELY HIGH GAS CAPACITY

VORSOMAX cyclone mist eliminators deliver very high gas-handling capacity combined with excellent droplet removal efficiency even at elevated pressures.

NEW CONSTRUCTION

For grassroots projects involving high pressure separators, cyclone mist eliminators can provide the lowest overall cost solution by minimizing the diameter and height requirements of the vessel. This reduction in footprint can result in several benefits to the end user such as: faster vessel delivery, lower transportation costs, simplified installation and lower overall vessel costs.

RETROFITS

For existing high-pressure separators, where significant additional capacity is required, cyclone mist eliminators can extend the gas capacity well beyond any other mist elimination technology available from Koch-Glitsch.



| BENEFITS

- Minimizes grassroots vessel diameter and weight, which is particularly important in high-pressure applications
- Ideal for debottlenecking existing separators/scrubbers for capacity upgrades
- High gas turndown
- Easily installed through vessel manways

| MATERIALS OF CONSTRUCTION

- All common metal alloys

| DESIGN PARAMETERS

The design and selection of cyclone mist eliminators are based on:

- Gas and liquid physical properties
- Liquid loading
- Desired efficiency and pressure drop



DEMISTER-PLUS Mist Eliminators

Reduce new vessel size or increase capacity in existing vessel.

The DEMISTER-PLUS mist eliminator is an advanced engineering design that is often used to minimize the size of new vessels or increase capacity in existing vessels.

DESIGNING FOR MORE CAPACITY

In most process installations, vessel size is determined by needs other than mist eliminator capacity, such as:

- Capacity of trays or packing
- Evaporator volume requirements
- Liquid holdup requirements

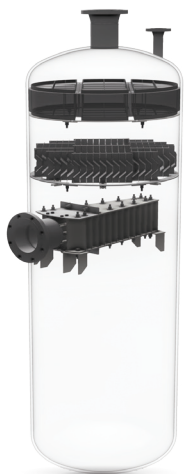
In these cases, traditional mist eliminator designs will readily meet the capacity. In some equipment, particularly in knockout drums, the vessel size is typically set by the requirements of the mist eliminator itself. When plants are revamped for additional capacity, it is almost always more economical to reuse existing vessels rather than replace them with larger equipment.

HIGH CAPACITY, TWO-STAGE MIST ELIMINATOR

The advanced design DEMISTER-PLUS mist eliminator can achieve even greater increases in capacity over the high capacity DEMISTER mist eliminator. The well-proven DEMISTER-PLUS design features a two-stage mist eliminator, combining the efficiency of the DEMISTER mist eliminator with the high throughput capacity of the FLEXICHEVRON mist eliminator or VORSOMAX cyclone mist eliminator.

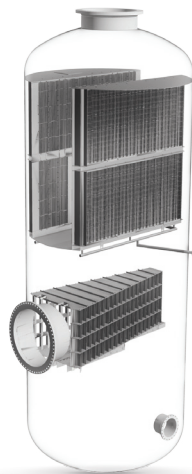
- In new plant construction, these designs reduce knockout drum investment substantially while maintaining separation efficiency. Vessel diameter can usually be reduced by 25 to 40% and, because the shell thickness is a function of diameter, vessel weight can be reduced by 50 to 75%.
- In revamp situations, more than 300% capacity gain can be achieved, depending on the existing vessel geometry.
- When needed, revamp modifications can be accomplished without welding.

TYPE VM-V



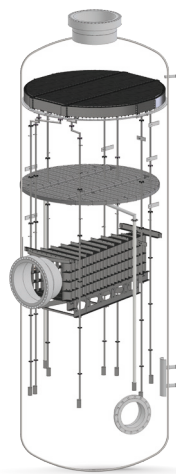
Vertical flow DEMISTER-PLUS type VM-V mist eliminator combines the high liquid handling capacity of a conventional FLEXICHEVRON® mist eliminator with the high efficiency of a DEMISTER® mist eliminator.

TYPE MV-H



Horizontal flow DEMISTER-PLUS type MV-H mist eliminator designs allow substantial increases in throughput capacity in any knockout or flash drum.

TYPE MV-V



Vertical flow DEMISTER-PLUS type MV-V mist eliminators use high capacity FLEXICHEVRON® mist eliminators for higher efficiency at increased capacity.

TYPE MC-V



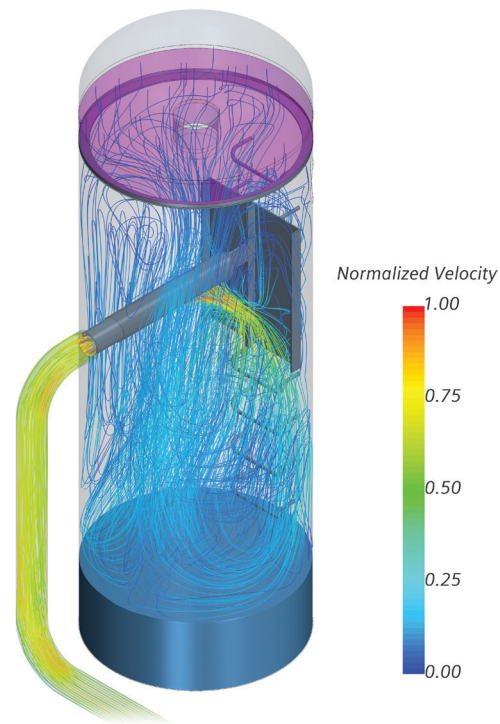
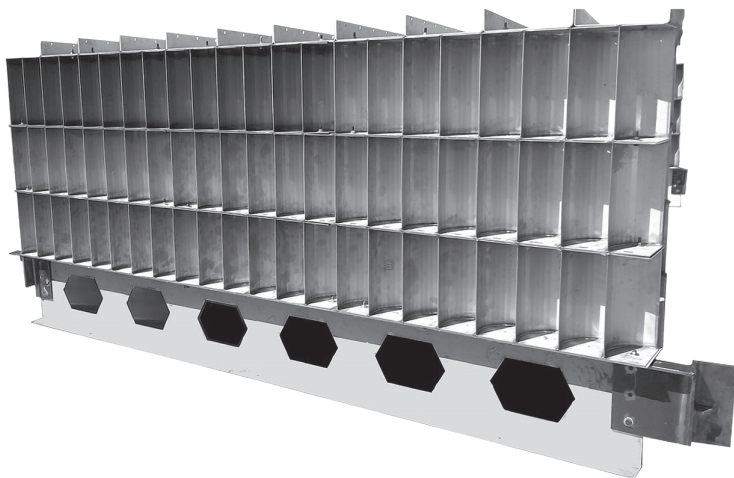
Vertical-flow DEMISTER-PLUS type MC-V separators use VORSOMAX mist eliminators for higher capacity. Solutions also available for horizontal separators.

Inlet Devices

Equipment for improving flow distribution in multiphase separation vessels.

UNIFORM FEED DISTRIBUTION

Inlet nozzles are a common problem area in retrofitting situations because under-designed inlet distributors allow localized high velocities, which create severe liquid entrainment. The high gas flow volumes at the inlet nozzle create poor gas distribution in crowded drums or distillation towers.



Localized velocity patterns with a plain nozzle inlet.

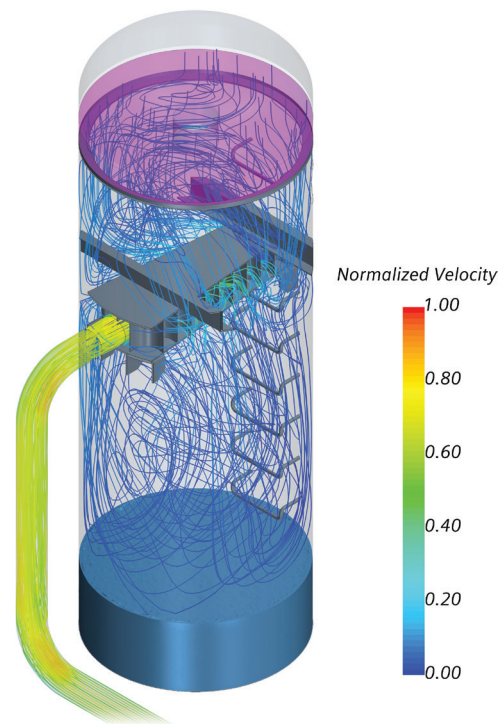
YORK-EVENFLOW Vane Inlet Device

The YORK-EVENFLOW vane inlet device decreases the momentum of the inlet feed stream in a controlled manner, which allows:

- Removal of bulk liquid and solids.
- Even distribution of the gas flow over the downstream mist elimination devices.
- Minimization of droplet shatter, which prevents creation of additional fine entrainment.
- Reduction of gas velocities flowing over the liquid surface below the feed point, which prevents reentrainment of previously collected liquid caused by shear on the liquid surface.

CHARACTERISTICS OF YORK-EVENFLOW VANE INLET DEVICE

- Evenly distributes the vapor to reduce channeling
- Gradually reduces high inlet momentum
- Diverts high liquid loads away from the mist eliminator
- Prevents reentrainment of liquid droplets from the surface below the feed point
- Modular construction allows installation through vessel manways
- Custom engineered for vertical or horizontal vessels



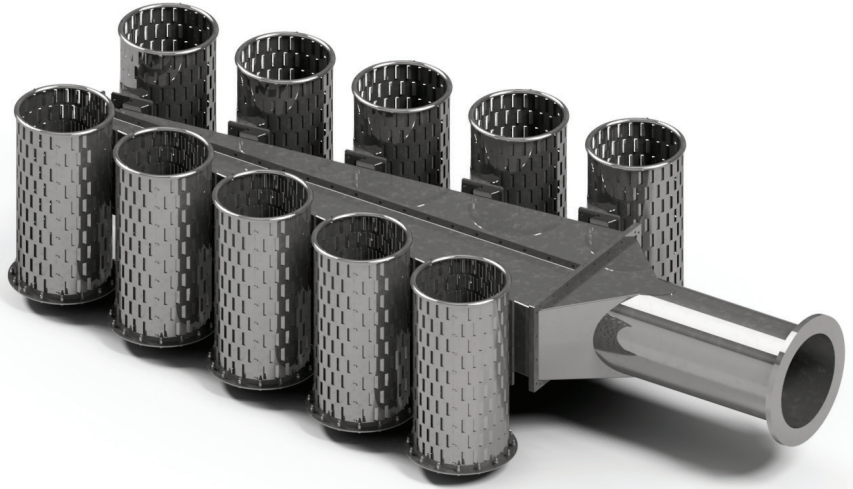
Localized velocity patterns with the YORK-EVENFLOW vane inlet device.

VORSOMAX® Cyclonic Inlet Device

The VORSOMAX cyclonic inlet device is a patent-pending inlet device that delivers efficient separation of vapor and liquid phases. It consists of a manifold and a series of separation cans, in which centrifugal force is generated to provide the vapor-liquid separation.

VORSOMAX cyclonic inlet device decreases the momentum of the feed stream entering an inlet nozzle. This is performed in a controlled manner which allows:

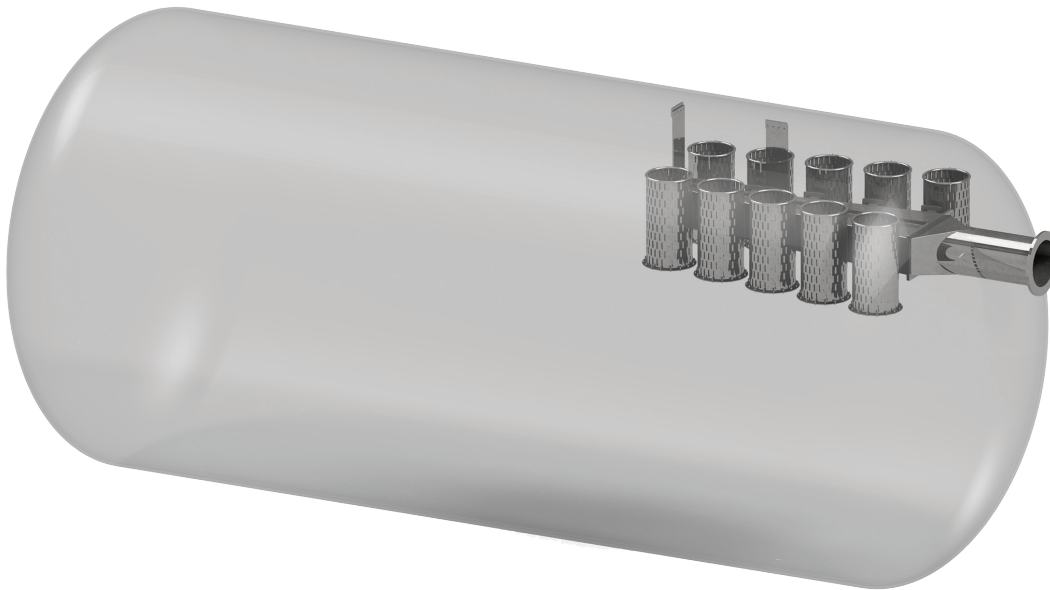
- Removal of bulk liquid and some solids
- Good distribution of vapor over downstream internals
- Minimization of droplet shatter, which prevents creation of additional fine entrainment
- Reduction of forces acting on liquid surface below the feed



VORSOMAX® 10-can cyclonic inlet device for horizontal drum.

| BENEFITS

- Due to high efficiency separation of liquid from vapor, reduces liquid load to mist elimination equipment
- Foam breaking or suppression
- Compact design compared to conventional inlet cyclones
- Prevents shear forces acting on liquid levels which can lead to re-entrainment of previously collected liquid
- Modular construction allows for easy installation through vessel manways
- Custom engineered for vertical or horizontal vessels



Computational Fluid Dynamics Modeling

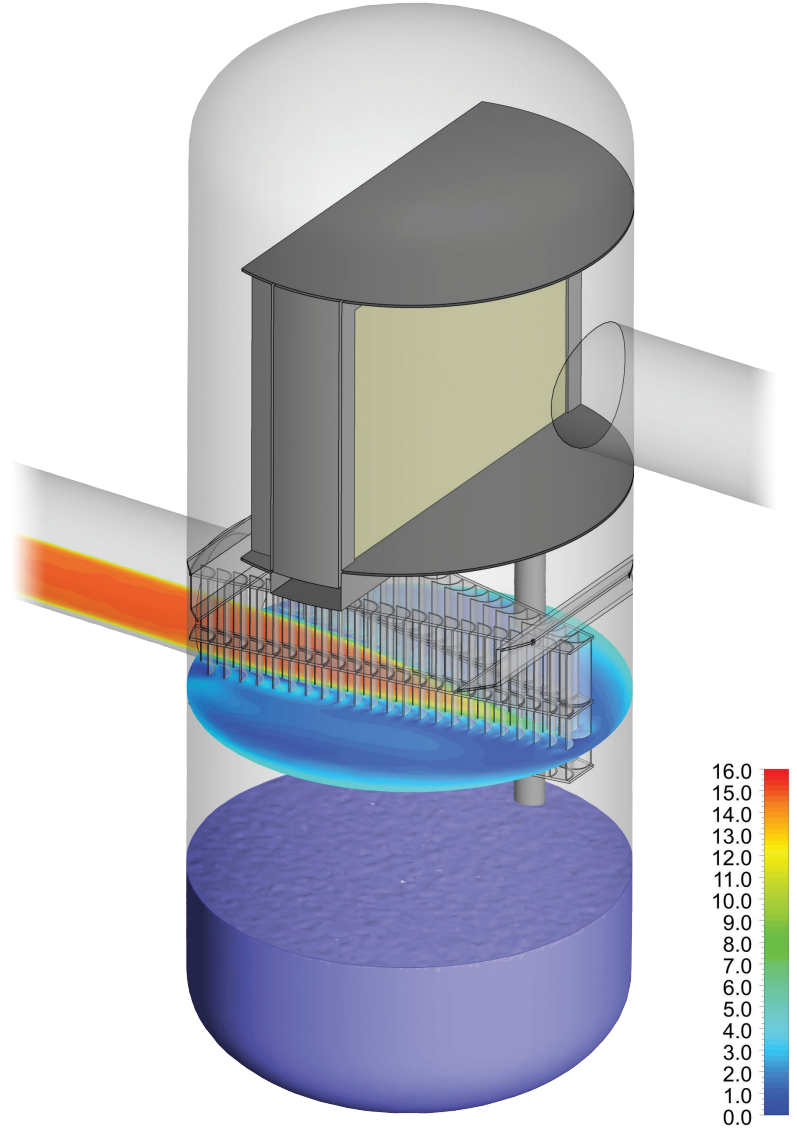
A reliable tool for design optimization, troubleshooting, and product development.

Flow distribution is critical in multiphase separation vessels. As vessel sizes are reduced or more capacity is expected from existing equipment, traditional design rules for vessel geometry and flow distribution must be reviewed for all elements that can affect separation performance, such as:

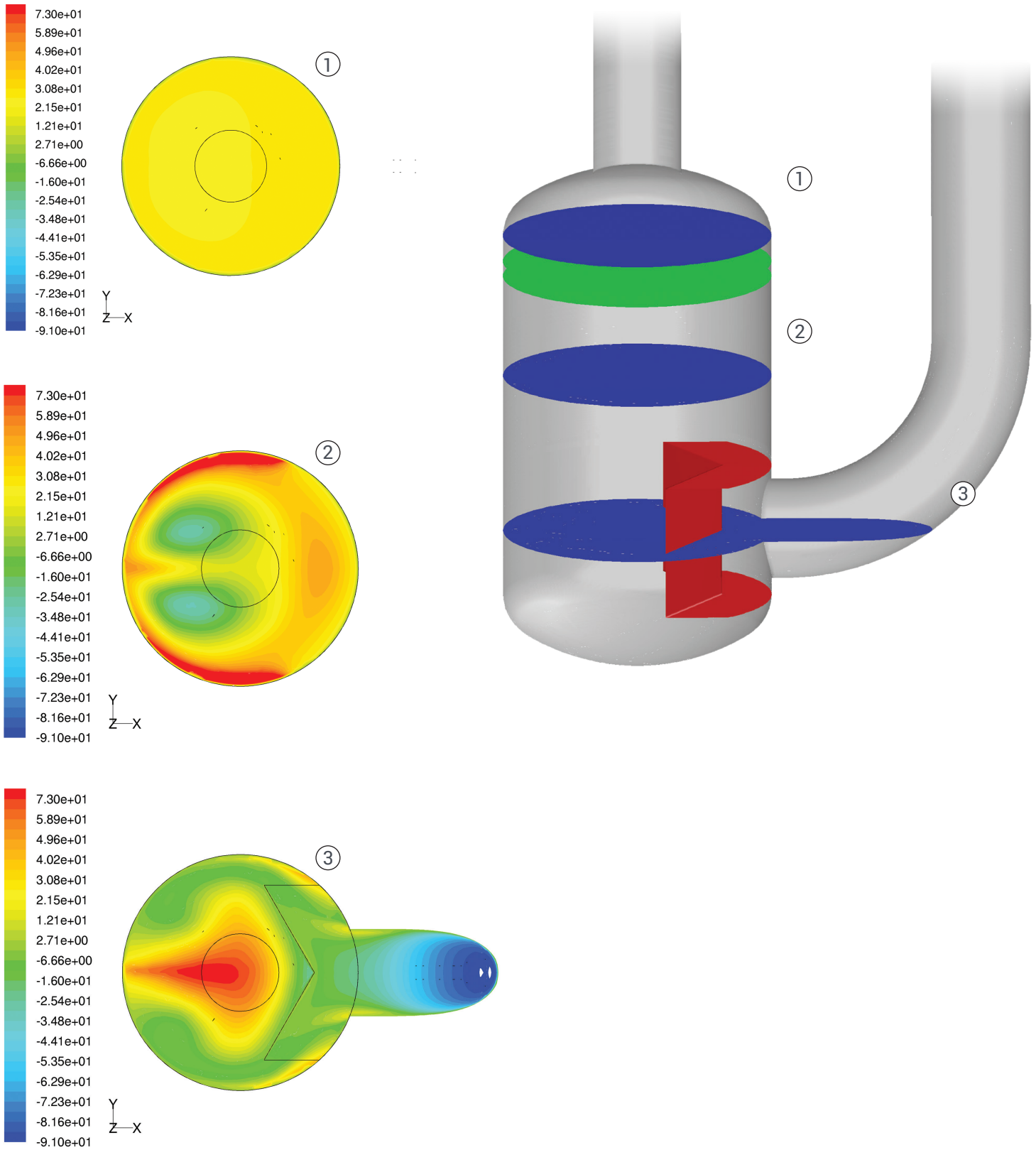
- Flow velocities through inlet and outlet nozzles
- Spacing between nozzles
- Internals
- Liquid levels
- Wave motion

CFD modeling is used by engineers at Koch-Glitsch to simulate flow conditions and vessel geometry. The modeling provides a close approximation of the fluid flow profile inside the vessel.

- For existing installations, poor flow distribution can be identified as the cause of unexpected high liquid carryover.
- In retrofit situations where the process conditions may be increasing, design modifications can be evaluated and optimized with high assurance that the desired performance will be achieved.
- For new equipment, optimized CFD designs result in size and weight reductions that provide savings beyond the lower cost of the separator. In addition to reduced vessel cost, there are usually associated savings in foundations and support structures.



The case illustrated below was a study of the velocity patterns inside a critical separator vessel operating under vacuum. For optimal performance, it was important that the velocity profile through the mist eliminator be uniform. The CFD study confirmed this to be the case, based on the vessel geometry.



FLEXIFIBER® Mist Eliminators

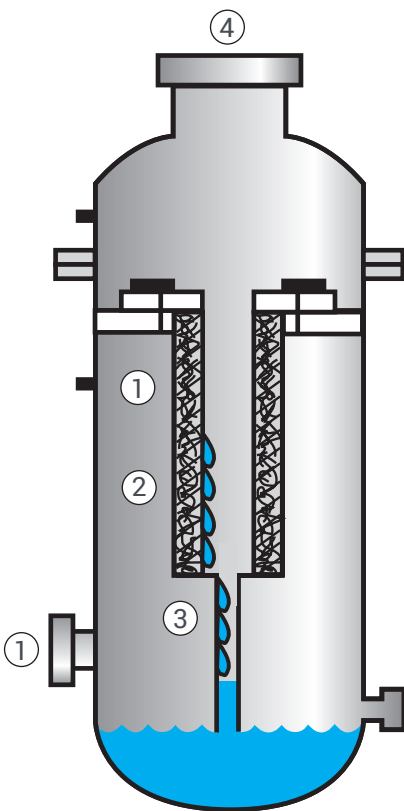
Reduce visible stack gas plumes and provide unlimited turndown.

The custom designed and fabricated FLEXIFIBER® mist eliminators consist of a special media contained between either two concentric screens or two flat parallel screens.

Depending upon design parameters, FLEXIFIBER mist eliminators can achieve high separation efficiency of all submicron liquid particles.

This mist eliminator is ideal for use in the following applications

- Sulfuric, nitric, and thermal phosphoric acid plants
- Chlorine and other chemical plants
- Pulp Mills



How a FLEXIFIBER® Mist Eliminator Works

1. Mist-laden gases enter the vessel and pass horizontally through the fiberbed.
2. Separated liquids drain downward on the inside surface of the element.
3. Liquids pass through the drain leg and are collected at the bottom of the vessel.
4. Clean gases exit at the top of the vessel.

Characteristics of FLEXIFIBER® Mist Eliminators

- Reduce or eliminate visible stack gas plumes
- Provide unlimited turndown from design capacity for type BD elements
- Can be designed for very low pressure drop

I MATERIALS OF CONSTRUCTION - CAGES

- Wide variety of metal alloys
- Thermal-set plastics and plastics
- FRP

I MATERIALS OF CONSTRUCTION – FIBERBED MEDIA

- Special glass
- PTFE
- Polyester fiber
- Special carbon fiber media is available for those applications that contain fluorides, high pH, or steam.

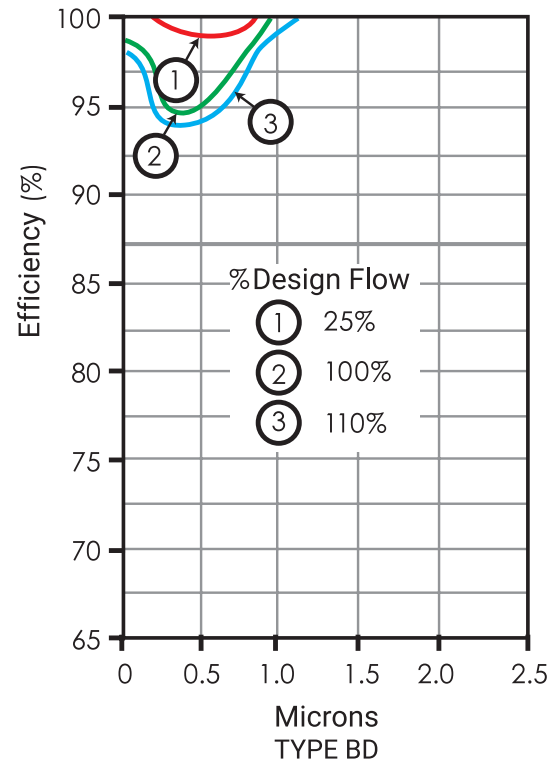
FLEXIFIBER® Type BD (Brownian Diffusion) and Type BD-LdP (Low Pressure Drop) Mist Eliminators

Type BD elements are normally cylindrical in shape and are available in a wide variety of materials.

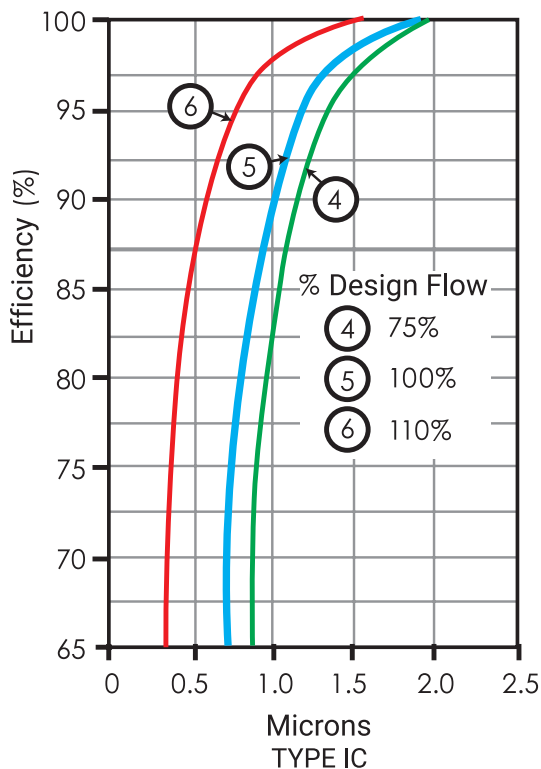
Using the Brownian Diffusion mechanism, the type BD element is able to achieve collection efficiencies of up to 100% on all submicron liquid particles even below 0.1 microns. Operating pressure drops are normally designed in the range of 2-20 in. [50-500 mm] wc.

An interesting feature of the FLEXIFIBER type BD mist eliminator is that, with submicron particles, the collection efficiency slightly increases as the gas flow rate through the bed is reduced. This is due to the liquid droplets having a longer residence time in the fiberbed, which provides an increased chance for the liquid particles to contact individual fibers and be collected.

FLEXIFIBER type BD-LdP fiberbed increases the collection efficiency of submicron particles while reducing pressure drop (when compared to conventional fiberbed technology). Where fiberbeds are large consumers of energy, such as the case in chlorine and sulfuric acid production trains, this results in significant reductions in operating costs. In addition to the specific processes cited above, this technology can bring benefits to any process in the form of decreased investment and operating costs, as well as improved plant performance.



Typical performance curves for FLEXIFIBER® mist eliminator type BD in air-DOP system at atmospheric conditions.



Typical performance curves for FLEXIFIBER® mist eliminator type IC in air-DOP system at atmospheric conditions.

FLEXIFIBER® Type IC (Impaction Cylinder) Mist Eliminators

Primarily by using the impaction mechanism, type IC fiberbeds are designed to capture liquid particles 1 micron and larger. Collection efficiencies on 1 micron particles will vary from 90% on liquid mists with a specific gravity of 1.0 to 97% on liquid mists with a specific gravity of 1.8. Operating pressure drops are usually in the range of 4-10 in. [100-250 mm] wc.

FLEXIFIBER® Type IC-M, IC-K, and IC-KLF Mist Eliminators

FLEXIFIBER type IC-M and IC-K fiberbeds are specially designed to meet the needs of today's sulfuric acid plants. FLEXIFIBER type IC-M is an alternative to type BD in both the drying and absorption towers, offering a combination of both high capacity and efficiency. FLEXIFIBER type IC-K and our newly introduced type IC-KLF combine our knitted wire mesh and fiberbed technologies to produce extended life mist eliminators that are less inclined to foul with solids. This results in both energy savings as well as longer run lengths in critical services such as sulfuric acid drying towers.

Phase Separation

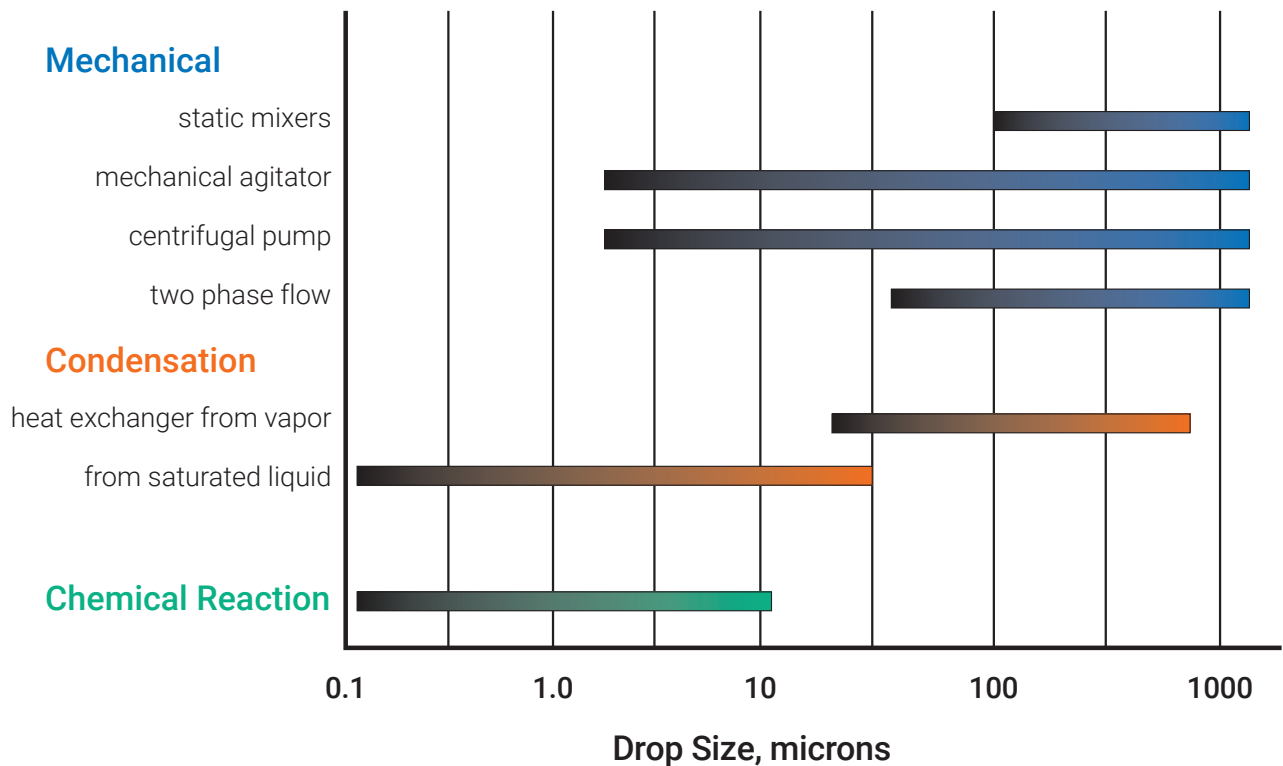
Reduce size of new vessels, increase capacity of existing drums, and improve product purity.

When gravity forces alone do not produce an efficient separation of immiscible fluids, implementing a Koch-Glitsch liquid-liquid coalescer solution can improve performance to provide minimal dispersion in the liquid effluent stream.

Why Liquid-liquid Dispersions Occur

Mixtures of two immiscible liquids occur throughout the process industries. Often this is an unavoidable result of the process. In other cases, the mixing of two liquids is necessary to obtain mass transfer between the phases or to promote a chemical reaction. Usually, a full separation of the liquids will be important for efficient and cost effective performance of the downstream process.

The size of the resulting droplets (dispersed phase) and the ease of their separation from the continuous phase are partially dependent on how the dispersion is created, as shown in the chart below.



Equally important are the physical properties of the two liquids, including interfacial tension, density difference and viscosity. The presence of solids and trace impurities, as well as pH and temperature changes can completely alter the characteristics and ease of separation. For example, it is quite possible for even a small presence of impurities to change an easy separation into a difficult emulsion.

Because of this complexity, a theoretical calculation describing the separation of two liquids can only be done based on assumptions of pure liquids, which never occurs in the real world. Therefore, the selection and design of liquid separation equipment is based on a combination of basic principles, experience, and trial testing.

Design of Coalescer Vessels

Many separators consist merely of a horizontal vessel, as shown in the diagram below, where the separation occurs by allowing the droplets to settle by gravity.

Droplets rise (when they are the lighter phase liquid) or fall (when they are the heavier phase) based on the following equation, which is derived from Stoke's Law.

$$V_s = \frac{g (\rho_H - \rho_L) D^2}{18\mu}$$

where:

V = Settling velocity (cm/sec)

g = Gravitational constant (98/cm/sec²)

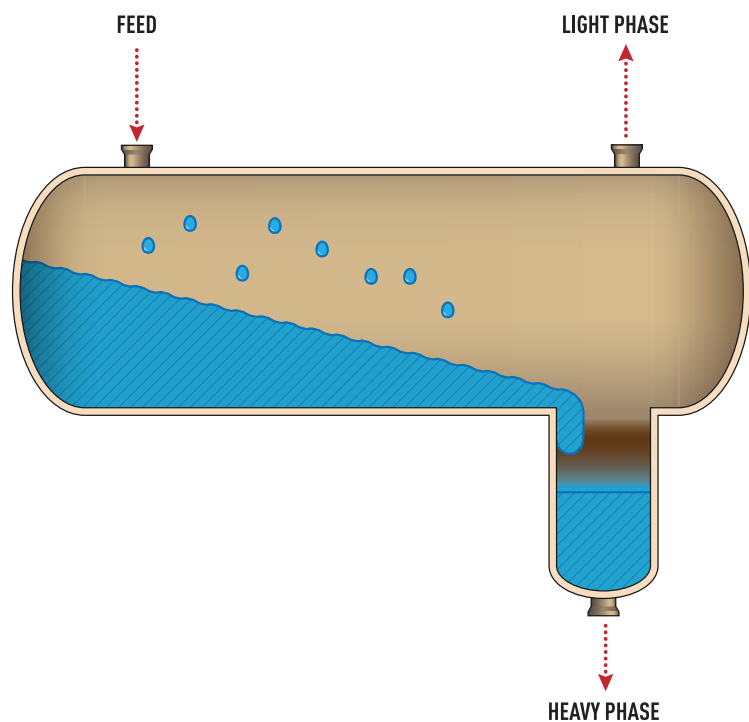
μ = Viscosity of continuous phase (poise)

ρ_H = Density of heavy liquid (g/cm³)

ρ_L = Density of liquid liquid (g/cm³)

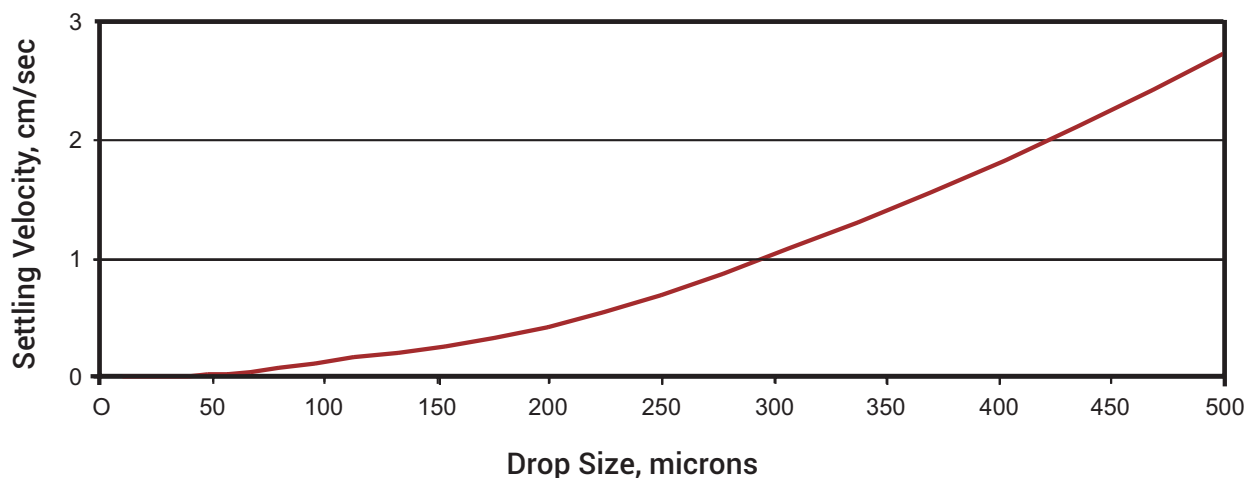
D = Droplet diameter (cm)

For a water droplet falling in an oil with a density of 50 lb/cu ft [800 Kg/m³], the settling rates are shown in the graph below.



Droplet Settling Velocity

These traditional separators are not economical because they require long residence times to achieve separation of even 150-200 micron droplets. They are rarely justified in new designs unless large surge capacity is required for process reasons, or because of very heavy solids loadings or high viscosity liquids in the process.



Settling and Coalescing Options

Improving the process.

Droplet settling is strongly affected by both the droplet size and the distance the droplet must settle before it reaches the interface between the two liquid phases. Both of these factors can be influenced through the selection of internals to accelerate the separation.

Parallel Plate Settling Media

While droplets larger than 200-300 microns diameter will settle quickly, smaller droplet dispersions require excessive settling times when they must travel long distances to the interface. With the use of parallel plates, the designer can create many interfaces within the same vessel, which allows significant reductions in separate vessel sizes.

For dispersions down to 40-100 microns, it is possible to achieve efficient separation with this technique, and it is the preferred equipment design where the potential for solids or tarry liquids exists.



KY-FLEX® Liquid-liquid Settling Media

These corrugated plate separators are an improvement over the parallel plate separators except where severe solids loadings require the extra large spaces that the parallel plates allow. Properly structured, the corrugations provide superior collection and drainage channels for liquids and solids. A variety of corrugation geometries and spacings are available to optimize the fouling resistance and efficiency to the needs of each process.

KY-MESH Liquid-liquid Coalescing Media

Another approach focuses on increasing the size of droplets by coalescing them into easily separated drops larger than 200 microns so they will quickly separate by gravitational force. Generally, this technique is aimed at the smaller droplets, from 100 microns down to a few microns diameter, which settle very slowly or not at all. Often referred to as secondary dispersions, haze, or emulsions, these applications present the biggest challenge and are solved with high performance coalescing media engineered for the properties of the specific chemicals involved. This media consists of mixtures of metal and non-metallic wires and fibers. The internal geometry promotes droplet size growth and maximizes liquid throughput velocities for minimum vessel sizes.



KY-FIBER Liquid-Liquid Coalescing Media

KY-FIBER media is a high efficiency product specially designed for separation of fine dispersions of one liquid phase from another. Depending on chemical compatibility and wettability, these elements incorporate glass fiber, carbon or plastic fiber which is positioned between concentric screens in a metal or plastic cage.

Similar to the FLEXIFIBER® mist eliminator, these elements are installed via mounting flange onto a tube sheet contained in the separator. The liquid phases are forced to flow radially through the media, which coalesces the small droplets in the dispersed phase for separation from the continuous liquid phase.

The performance characteristics of KY-FIBER media make it a good fit for dispersions that create a hazy appearance. Typically, these dispersions are tough to separate with long settling times or conventional media. KY-FIBER media is not recommended for fouling services.



I PHASE SEPARATION SOLUTIONS FOR COMMON APPLICATIONS

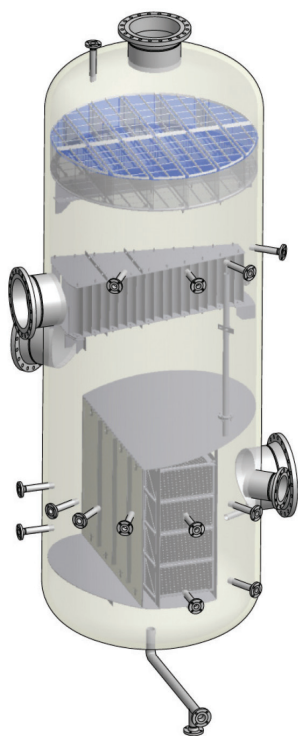
Created using inlets, turbulence isolation plates, and combinations of KY-MESH and KY-FLEX® liquid-liquid coalescing media and parallel plate settling media, the exact combination of products in each solution varies depending on the application. With over 50 years of experience providing phase separation solutions, Koch-Glitsch engineers have the knowledge and experience to select an effective solution to meet specific application requirements. The solutions pictured below are representative of the designs provided by Koch-Glitsch for common applications. Each solution will vary based on specific process requirements.

Hazy Distillates

As product cools in storage tanks, dissolved water comes out of solution to form water droplets. These water droplets, which make up a small percentage of the feed, create a haze that results in off-specification product. Without proper coalescing media, use of the product is delayed until the water settles out by gravitational forces alone.



Isometric view of two-phase horizontal coalescer/settler.



Isometric view of three-phase vertical coalescer/settler.

Refinery Fractionator Overhead Reflux Drum

These drums frequently become a bottleneck when the towers they service are fitted with higher capacity internals. The higher throughput rates in the modified tower increase separation demands on the overhead drum. Poor liquid-liquid separation in the drum creates high water level in the reflux stream that can lead to corrosion on the trays and increased energy consumption in the tower.

Alkylation Units

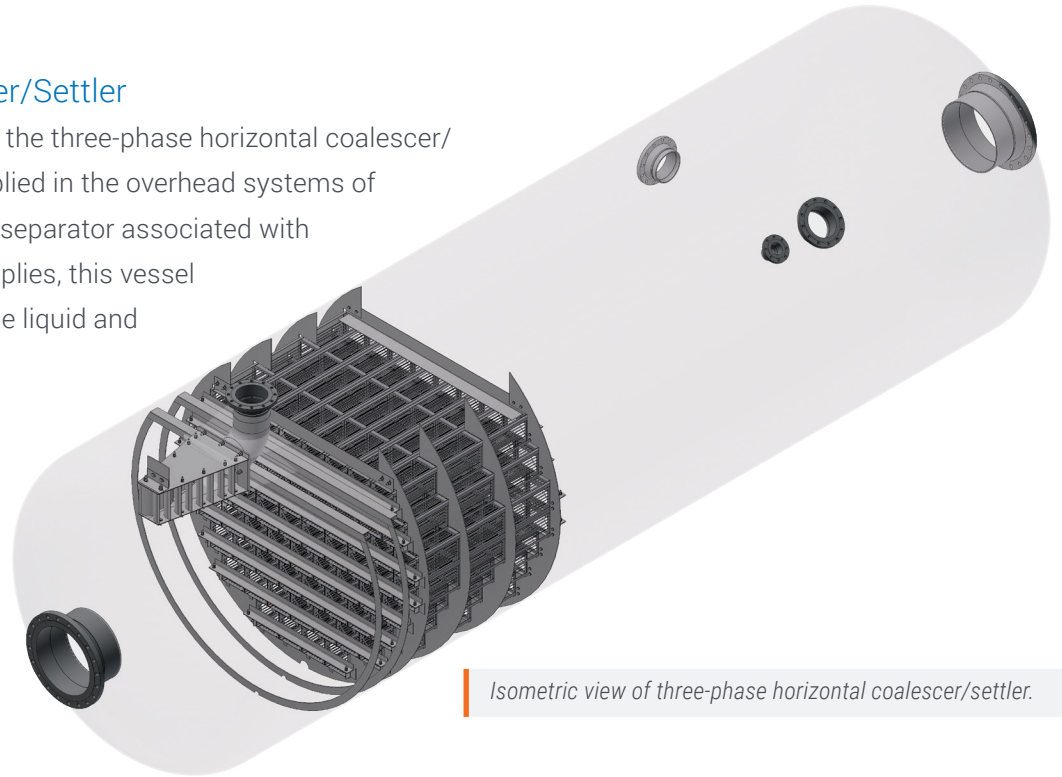
In refineries, there are several steps where sulfuric acid, caustic, or water mix with hydrocarbon streams and then are separated. It is critical that these separations are as sharp and clean as practical to minimize acid and caustic consumption as well as to minimize the potential for fouling/corrosion in downstream equipment

Wastewater Treatment Facilities

Upsets in the main production plant can often burden the water effluent treatment facilities with increased hydrocarbon removal requirements before water discharge.

Three-phase Horizontal Coalescer/Settler

In the Hydrocarbon Process Industries, the three-phase horizontal coalescer/settler is a common separator type applied in the overhead systems of distillation columns or as an upstream separator associated with oil and gas production. As the name implies, this vessel separates three phases: gas, light-phase liquid and heavy-phase liquid (usually water).



Isometric view of three-phase horizontal coalescer/settler.

Koch-Glitsch Corporate Offices

WORLDWIDE HEADQUARTERS

Koch-Glitsch, LP

4111 East 37th Street North | Wichita, KS 67220 | United States
316-828-5110 Tel

EUROPE

Koch-Glitsch Italia S.r.l.

Via Torri Bianche, 3A | 20871 Vimercate MB | Italy
+39-039-638-6010 Tel

Koch-Glitsch BV

Belcrownlaan 13 i | 2100 Deurne | Belgium
+32 (0) 3-647-2847 Tel

ASIA

Koch Engineered Solutions Singapore Pte. Ltd.

260 Orchard Road, #11-01/09 | The Heeren | Singapore 238855
+65-6831-6500 Tel

Koch-Glitsch (a division of Koch Engineered Solutions India Pvt. Ltd.)

Seawoods Grand Central | F Wing 9th Level (11th Floor)
Unit No: F901 to F904, Tower-2 Plot No. R-1, Sector-40 | Nerul Road, NR. Seawoods Railway Station
Navi, Mumbai – 400 706 Maharashtra | India
+91 (0) 22-6771-7171 Tel

For a complete list of our offices and facilities, visit www.koch-glitsch.com.

EMERGENCY NUMBERS

UNITED STATES/LATIN AMERICA:

888-KOCH-911 (mass transfer), 316-207-7935 (mist elimination),
or your local Koch-Glitsch office.

CANADA:

905-852-3381 (Uxbridge, Ontario)

EUROPE/MIDDLE EAST/AFRICA:

+39-06-928-911 (Italy), +44 (0) 1782-744-561 (United Kingdom),
or your local Koch-Glitsch office.

ASIA:

+65-6831-6500 (Singapore) or your local Koch-Glitsch office.

Legal Notice

The information contained in this bulletin is believed to be accurate and reliable,
but is not to be construed as implying any warranty or guarantee of performance.

A KOCH ENGINEERED SOLUTIONS COMPANY

For related trademark information, visit www.koch-glitsch.com/trademarks.
© 2012-2021 Koch-Glitsch, LP. All rights reserved.

Bulletin MPPS-01, Ref. KG-20-189202, Rev. 5-2021. Printed in U.S.A.



KOCH-GLITSCH
sales@samplebrothers.com

YOU CAN RELY ON US.